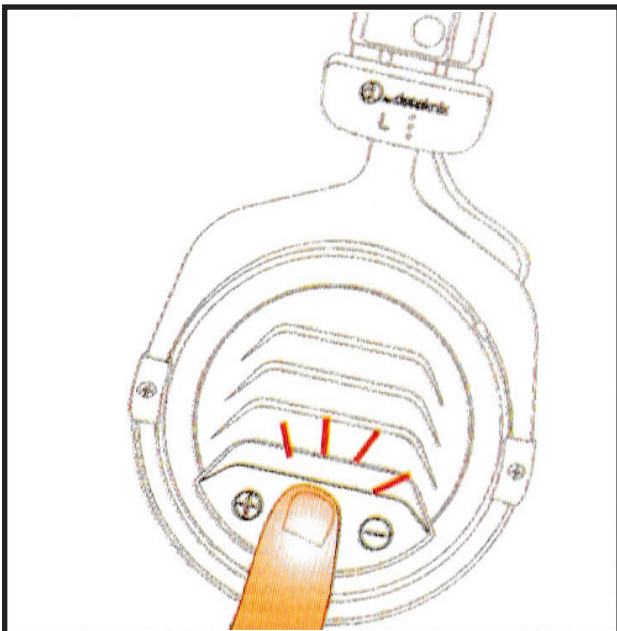
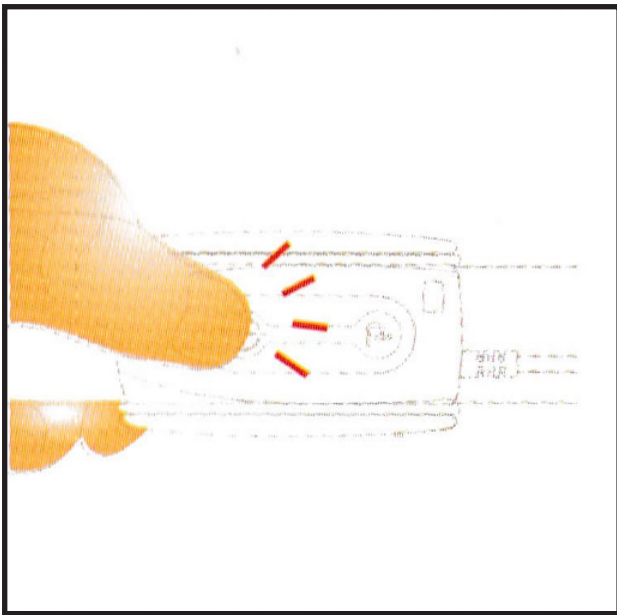


WIREFREE PRO

SAFETY INSTRUCTIONS

- When wearing the headphones, make sure the volume is turned to minimum. Only adjust the volume after putting the headphones on. Do not turn the volume up too loud. You could cause permanent damage to your hearing.
- Danger to life! Headphones dramatically reduce your ability to hear ambient noise. Using headphones while in road traffic is potentially very dangerous and is therefore prohibited by law. Also, please make sure that you do not use your headphones when in the vicinity of possibly dangerous machines and tools.
- This product's wireless 2.4G technology has a transmission range of approx. 10 meters, but interfering obstacles (people, metal objects, walls, etc.), other radio signals, and other factors may affect the transmission range or even lead to the loss of the connection.



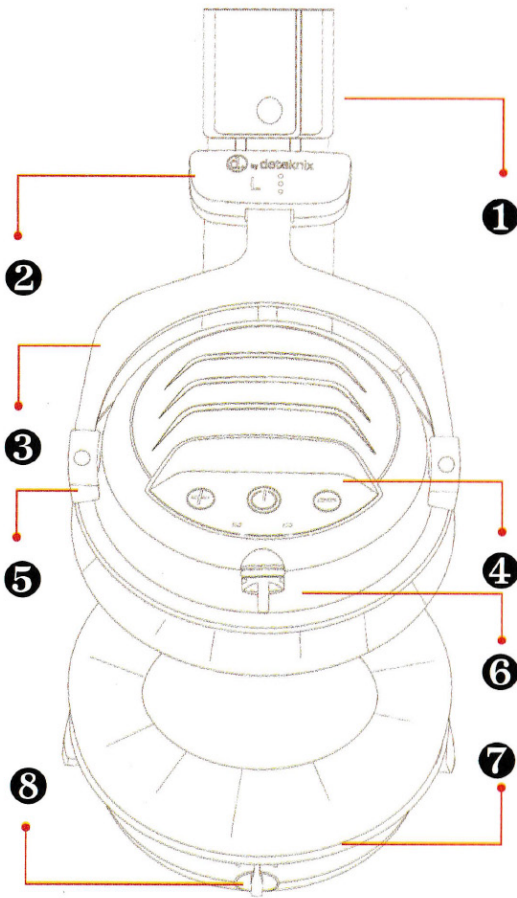
QUICK START

Step 1. Power on the transmitter

Make sure the transmitter is fully charged and press the power button for 2 seconds. The LED indicator will start to flash red. The LED indicator will turn still when connected with any headphones. The headphones and transmitter have been paired before packing.

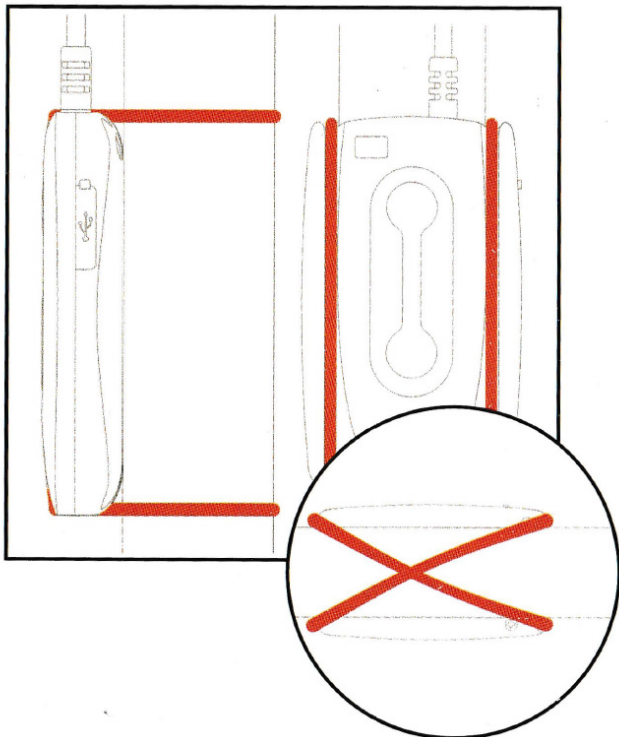
Step 2. Power on the headphones

Press and hold the power button for 2 seconds to power on. The status LED will start blinking when powered on. The headphones will connect to the last paired, powered on transmitter automatically.



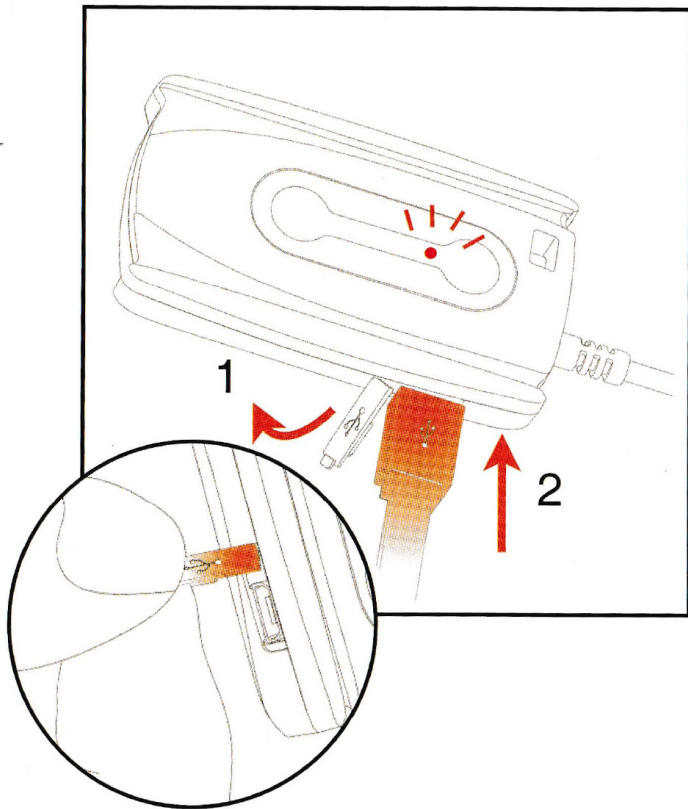
HEADPHONES STRUCTURE

- 1 Head band cushion
- 2 Slider plastic part
- 3 Support fork
- 4 Control touch pad
- 5 Tilttable plastic part
- 6 Charging port
- 7 Ear cushion
- 8 Wire audio input



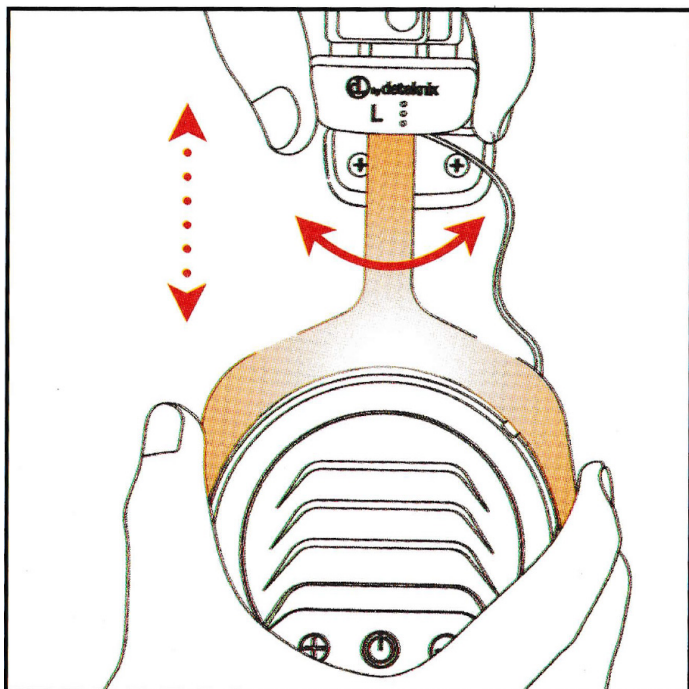
TRANSMITTER ATTACHMENT

Place the transmitter at the detector's shaft, near the audio port. Wrap the elastic band around the shaft and the transmitter. If the shaft is too thin, twist the band once and follow the steps before. Don't stretch the spring cord too much, to prevent the wire from damage.



RECHARGING TRANSMITTER

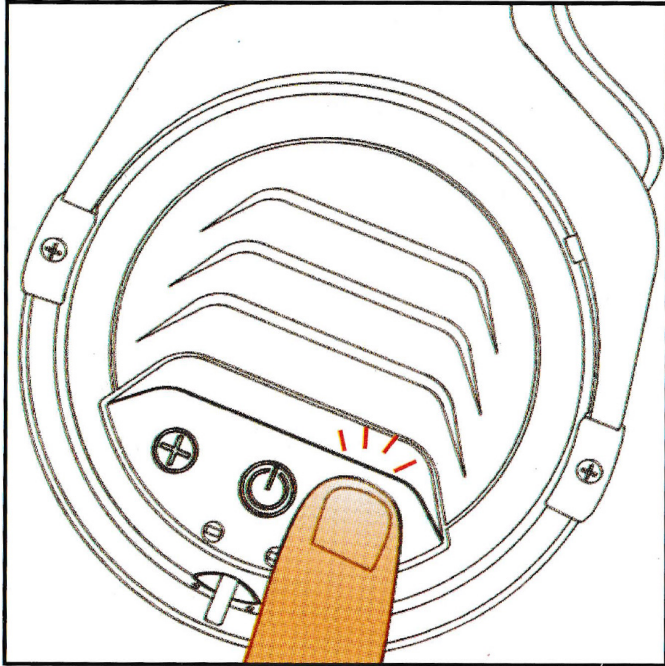
Take off the rubber insert from the side of the transmitter. You can recharge it with a smartphone charger (recommended), laptop or computer USB port or with a power bank. Plug the USB side into the port and insert the microUSB head on the transmitter's charging port. The battery LED indicator will start to flash and stop once the transmitter is fully charged.



HEADPHONES ADJUSTMENT

Before wearing the Wire-Free Pro headphones for the first time you should adjust it properly to achieve the best sound and ambient noise attenuation. A proper way of wearing will reduce the fatigue of your ear. As shown in the figure: Pull or push to select the appropriate lock-in position on both sides of the headphones folk. The dot will help you memorize the position. The ear pads will tilt automatically according to your head size.

Please do not bend parts of the headphones with force.



HEADPHONES CONTROL

Volume control

Single click on +/--button to increase or decrease the volume by one segment. Holding the buttons to adjust the volume faster.

Pairing (if necessary)

When the headphones are not connected with the last transmitter they will blink at a fast frequency. You just need to press the headphones power button once quickly near the new, powered on transmitter. The LED at the headphones will blink at a slow frequency when pairing was successful.

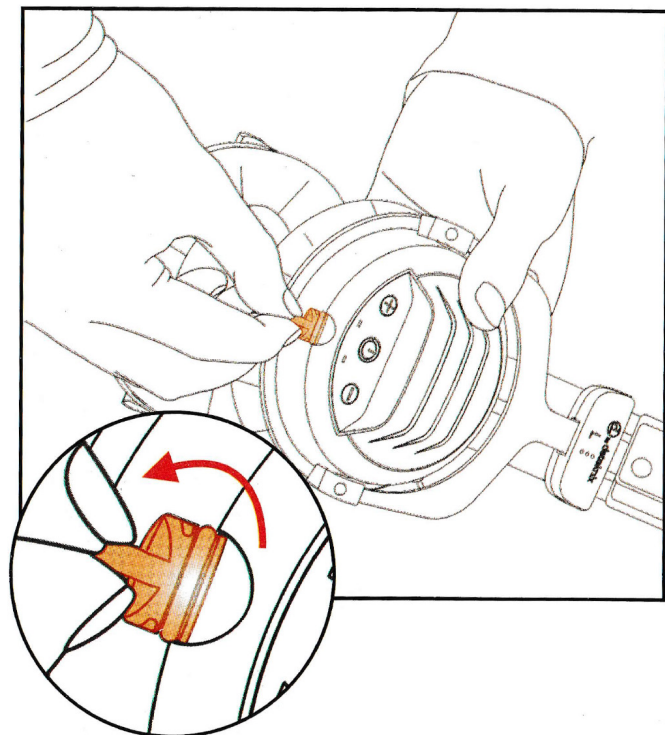
Battery status

You can press the power button twice quickly to read the battery condition.

Green LED: 80 - 100%

Yellow LED: 60 - 80 %

Red LED: 30 - 60% (please recharge)

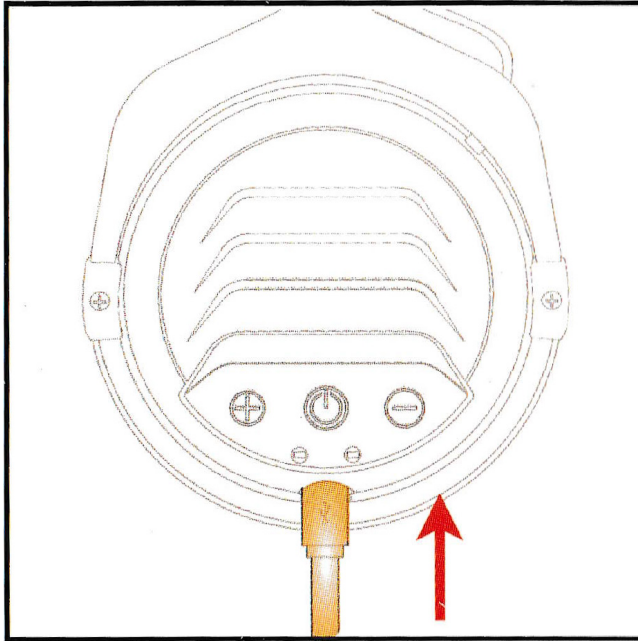


TAKE OFF WATERPROOF BUDS

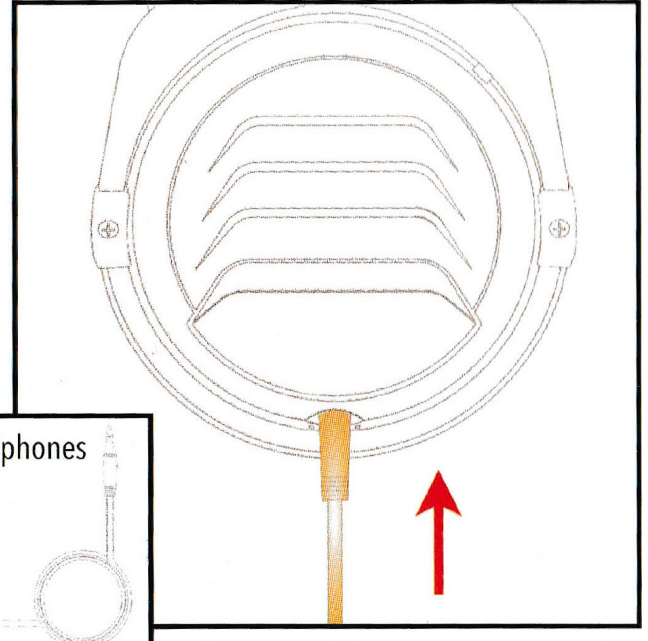
Take off the rubber bud on the power control side of the headphones to get the best bass sound quality. Pull the buds out as illustrated in the picture.

Please insert them back when working in raining condition to prevent moisture to get into the electronics of the headphones.

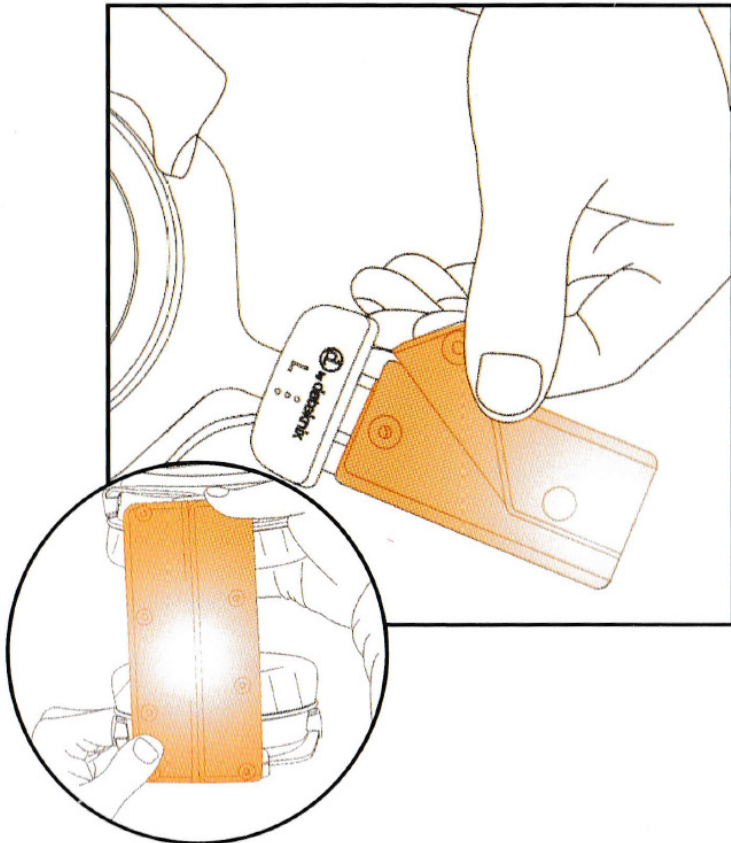
Note: Clean the O-ring and apply lubricant routinely to keep the sealing in perfect condition.



RECHARGING HEADPHONES



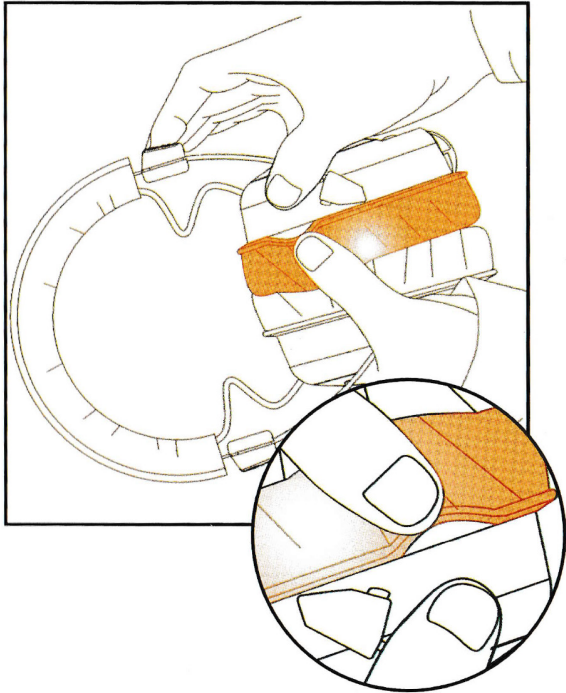
WIRE AUDIO CORD CONNECTION



EXCHANGING HEADBAND CUSHION

You can take off the headband cushions to clean or replace them. Hold the edge of the cushion and pull from the first button.

When attaching it back to the headphones, start at the center of the cushion under the head band and wrap it to the top. Press and secure the four buttons.



EXCHANGING EAR CUSHIONS

You can take off the ear cushions to clean or replace them. Peel off the side rim of the ear cushion and pull the cushion off from the headphones..

When attaching it back to the headphones, start from a small part, turn the cushion while holding the matched part.

TROUBLESHOOTING AND MAINTENANCE

Problem

Solution

Random signal loss

Make sure the transmitter and headphones are fully charged.

Headphones or transmitter doesn't power on

Make sure the transmitter and headphones are fully charged.

Powered on, but no sound from headphones

Make sure the transmitter is connected to the detector. Increase the volume.

PLEASE NOTE:

- Avoid extreme shocks and harsh treatment, it may decrease the lifespan of the product.
- Do not use sharp objects to clean the device.
- Clean the device with fresh water after exposure to chlorine, salt water, sunscreen, cosmetics, alcohol or other harsh chemicals. Prolonged exposure to these substances can damage the device.
- Do not store in a high temperature environment, such as direct sun exposure.
- Don't twist or pull the transmitter's cord directly, grab the connector to pull it.

Cleaning the devices

1. Make sure all waterproof buds are in position and wipe the devices by using a cloth dampened with clean tap water.
2. Wipe the devices dry.

EU Declaration of Conformity

Hereby, Dongguan Quest Detection Technology Co., Limited declares that this radio equipment is in compliance with directive 2014/53/EU.

The full text of the EU declaration of conformity is available at the following address:

www.detectorportal.eu/compliance



SERVICE EUROPE

Quest Europe GmbH
Bunde-West 15
26831 Bunde
Germany
info@idc-detektor.de
+49 (0)49537082810